

B AC Motors

S.C. Brake Motor 15W (□80mm)

15W

Speed Control
Brake Motor
15W(□80mm)

Motor Specification

Model 8SBDG* ⁻ 15□: Gear Type Shaft 8SBDD* ⁻ 15: D-Cut Type Shaft	Output W	Voltage V	Frequency Hz	Poles	Duty	Speed Range r/min	Starting Torque		Permissible Torque				Capacitor μF / VAC
							kgfcm	N.m	1200r/min		90r/min		
									kgfcm	N.m	kgfcm	N.m	
8SBDGA-15□	15	1∅110	60	4	30min.	90-1700	0.70	0.070	1.50	0.150	0.60	0.060	6.0 / 450
8SBDGD-15□	15	1∅220	60	4	30min.	90-1700	0.85	0.085	1.50	0.150	0.55	0.055	1.5 / 450
8SBDGE-15□	15	1∅220	50	4	30min.	90-1400	0.75	0.075	1.20	0.120	0.50	0.050	1.5 / 450
		0.85					0.085	1.40	0.140	0.50	0.050		

1) Enter the phase & voltage code in the place * and enter the model type of attaching Gearbox in the box (□) within the motor model name.

2) All models contain a built-in thermal protector.

3) Gear Type Shaft are for attaching Gearbox and D-Cut Type Shaft are for using motor only.

Max. Permissible Torque at Output Shaft of Gearbox

Motor Model	Gearbox Model	r/min	V	Hz	Gear Ratio	3	3.6	5	6	7.5	9	12.5	15	18	25	30	36	40	50	60	75	90	100	120	150	180	200	250	300	360				
8SBDG □-15G	8GBK □BMH	1200	110	60	kgfcm	3.7	4.5	6.2	7.5	9.3	11.2	15.6	18.7	22.4	28.1	33.8	36.7	40.8	51.0	61.2	76.5	80.0	80.0	80.0	80.0	80.0	80.0	80.0	80.0	80.0	80.0			
					N.m	0.37	0.44	0.61	0.73	0.92	1.10	1.53	1.83	2.20	2.76	3.31	3.60	4.00	5.00	6.00	7.50	7.84	7.84	7.84	7.84	7.84	7.84	7.84	7.84	7.84	7.84	7.84	7.84	7.84
			220	60	kgfcm	3.7	4.5	6.2	7.5	9.3	11.2	15.6	18.7	22.4	28.1	33.8	36.7	40.8	51.0	61.2	76.5	80.0	80.0	80.0	80.0	80.0	80.0	80.0	80.0	80.0	80.0	80.0	80.0	80.0
					N.m	0.37	0.44	0.61	0.73	0.92	1.10	1.53	1.83	2.20	2.76	3.31	3.60	4.00	5.00	6.00	7.50	7.84	7.84	7.84	7.84	7.84	7.84	7.84	7.84	7.84	7.84	7.84	7.84	7.84
			220/240	50	kgfcm	3.5	4.2	5.8	7.0	8.7	10.5	14.5	17.4	20.9	26.3	31.5	34.3	38.1	47.6	57.1	71.4	80.0	80.0	80.0	80.0	80.0	80.0	80.0	80.0	80.0	80.0	80.0	80.0	80.0
					N.m	0.34	0.41	0.57	0.68	0.85	1.02	1.42	1.71	2.05	2.57	3.09	3.36	3.73	4.66	5.60	7.00	7.84	7.84	7.84	7.84	7.84	7.84	7.84	7.84	7.84	7.84	7.84	7.84	7.84
		90	110	60	kgfcm	0.9	1.0	1.5	1.7	2.2	2.6	3.6	4.4	5.2	6.6	7.9	8.6	9.5	11.9	14.3	17.9	21.4	23.8	28.6	35.7	42.8	42.7	53.4	64.1	76.9				
					N.m	0.09	0.10	0.14	0.17	0.21	0.26	0.36	0.43	0.51	0.64	0.77	0.84	0.93	1.17	1.40	1.75	2.10	2.33	2.80	3.50	4.20	4.18	5.23	6.28	7.53				
			220	60	kgfcm	0.9	1.0	1.5	1.7	2.2	2.6	3.6	4.4	5.2	6.6	7.9	8.6	9.5	11.9	14.3	17.9	21.4	23.8	28.6	35.7	42.8	42.7	53.4	64.1	76.9				
					N.m	0.09	0.10	0.14	0.17	0.21	0.26	0.36	0.43	0.51	0.64	0.77	0.84	0.93	1.17	1.40	1.75	2.10	2.33	2.80	3.50	4.20	4.18	5.23	6.28	7.53				
			220/240	50	kgfcm	0.9	1.0	1.5	1.7	2.2	2.6	3.6	4.4	5.2	6.6	7.9	8.6	9.5	11.9	14.3	17.9	21.4	23.8	28.6	35.7	42.8	42.7	53.4	64.1	76.9				
					N.m	0.09	0.10	0.14	0.17	0.21	0.26	0.36	0.43	0.51	0.64	0.77	0.84	0.93	1.17	1.40	1.75	2.10	2.33	2.80	3.50	4.20	4.18	5.23	6.28	7.53				

Motor Model	Gearbox Model	r/min	V	Hz	Gear Ratio	10	12	15	18	25	30	36	50	60
8SBDG□ -15W	8WD□BL/ □BR/□BRL	1200	110	60	kgfcm	12.3	14.4	17.3	20.0	26.3	29.7	34.6	45.0	49.5
					N.m	1.21	1.41	1.70	1.96	2.57	2.91	3.39	4.41	4.85
			220	60	kgfcm	12.5	14.9	18.7	22.4	31.1	37.4	44.8	62.3	74.7
					N.m	1.22	1.46	1.83	2.20	3.05	3.66	4.39	6.10	7.32
			220/240	50	kgfcm	11.5	13.4	16.2	18.6	24.5	27.7	32.3	42.0	46.2
					N.m	1.13	1.32	1.58	1.83	2.40	2.72	3.16	4.12	4.53
		90	110	60	kgfcm	2.9	3.4	4.0	4.7	6.1	6.9	8.1	10.5	11.6
					N.m	0.28	0.33	0.40	0.46	0.60	0.68	0.79	1.03	1.13
			220	60	kgfcm	2.9	3.4	4.0	4.7	6.1	6.9	8.1	10.5	11.6
					N.m	0.28	0.33	0.40	0.46	0.60	0.68	0.79	1.03	1.13
			220/240	50	kgfcm	2.9	3.4	4.0	4.7	6.1	6.9	8.1	10.5	11.6
					N.m	0.28	0.33	0.40	0.46	0.60	0.68	0.79	1.03	1.13

1) Enter the phase & voltage code in the box (□) within the motor model name.

2) Enter the gear ratio in the box (□) within the Gearbox model name.

3) A colored background indicates gear shaft rotation in the same direction as the motor shaft; a white background indicates rotation in the opposite direction.

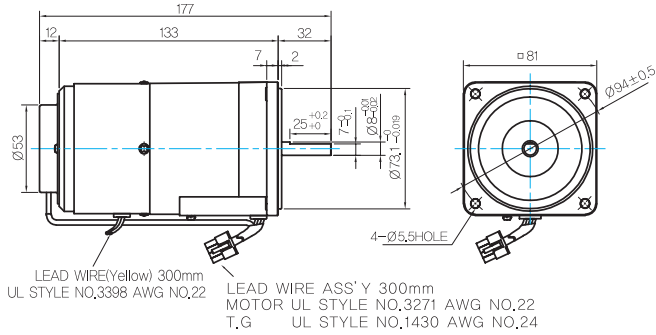
4) The rotating speed is calculated by dividing the motor's synchronous speed (50Hz: 1,500r/min, 60Hz: 1,800r/min) by the gear ratio.

The actual speed is 2~20% less than the displayed value, depending on the size of the load.

Dimensions

MOTOR ONLY

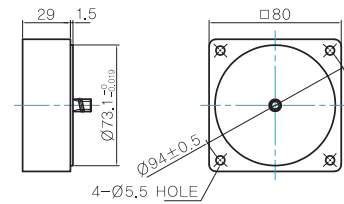
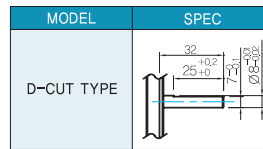
- MOTOR MODEL: 8SBDD□-15 (NO FAN)



INTER-DECIMAL GEARBOX

- MODEL: 8XD10□

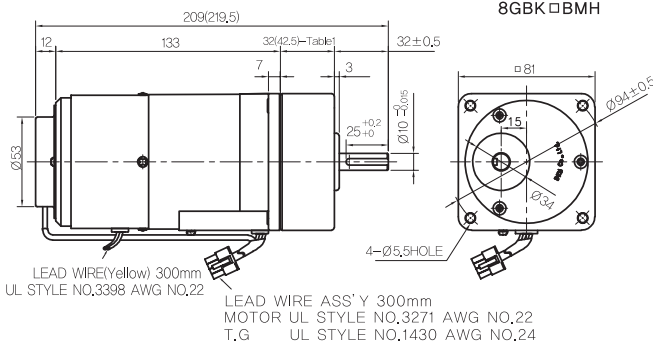
MOTOR OUTPUT SHAFT



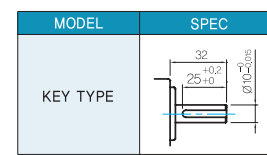
GEARED MOTOR

G TYPE GEARBOX

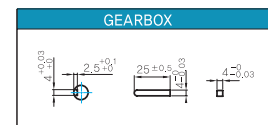
- MOTOR MODEL: 8SBDG□-15G (NO FAN)
- GEARBOX MODEL: 8GBK□BMH



GEARBOX OUTPUT SHAFT



KEY SPEC

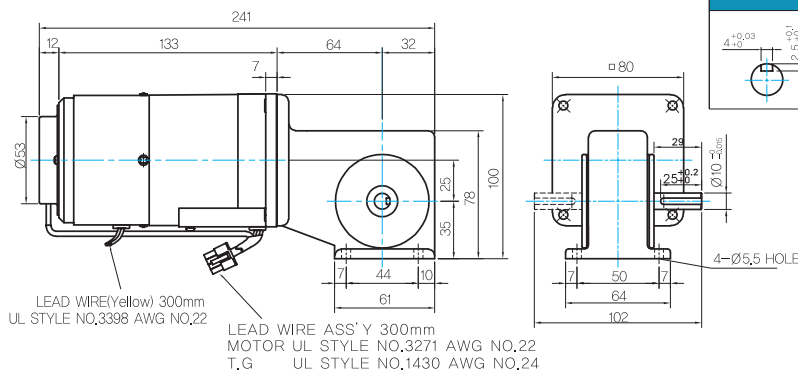


32(42.5)-Table1

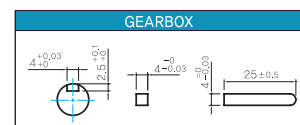
SIZE(mm)	GEAR RATIO
32	8GBK3BMH - 8GBK18BMH
42.5	8GBK25BMH - 8GBK360BMH

W TYPE GEARBOX

- MOTOR MODEL: 8SBDD□-15W (NO FAN)
- GEARBOX MODEL: 8WD□BL/BR/BRL



KEY SPEC



WEIGHT

PART	WEIGHT(Kg)	
MOTOR	2.09	
GEAR BOX	8GBK3BMH ~ 8GBK18BMH	0.48
	8GBK25BMH ~ 8GBK30BMH	0.61
	8GBK36BMH ~ 8GBK180BMH	0.67
	8GBK200BMH ~ 8GBK360BMH	0.63
	8WD□BL/BR/BRL	0.67
8XD10□	0.44	

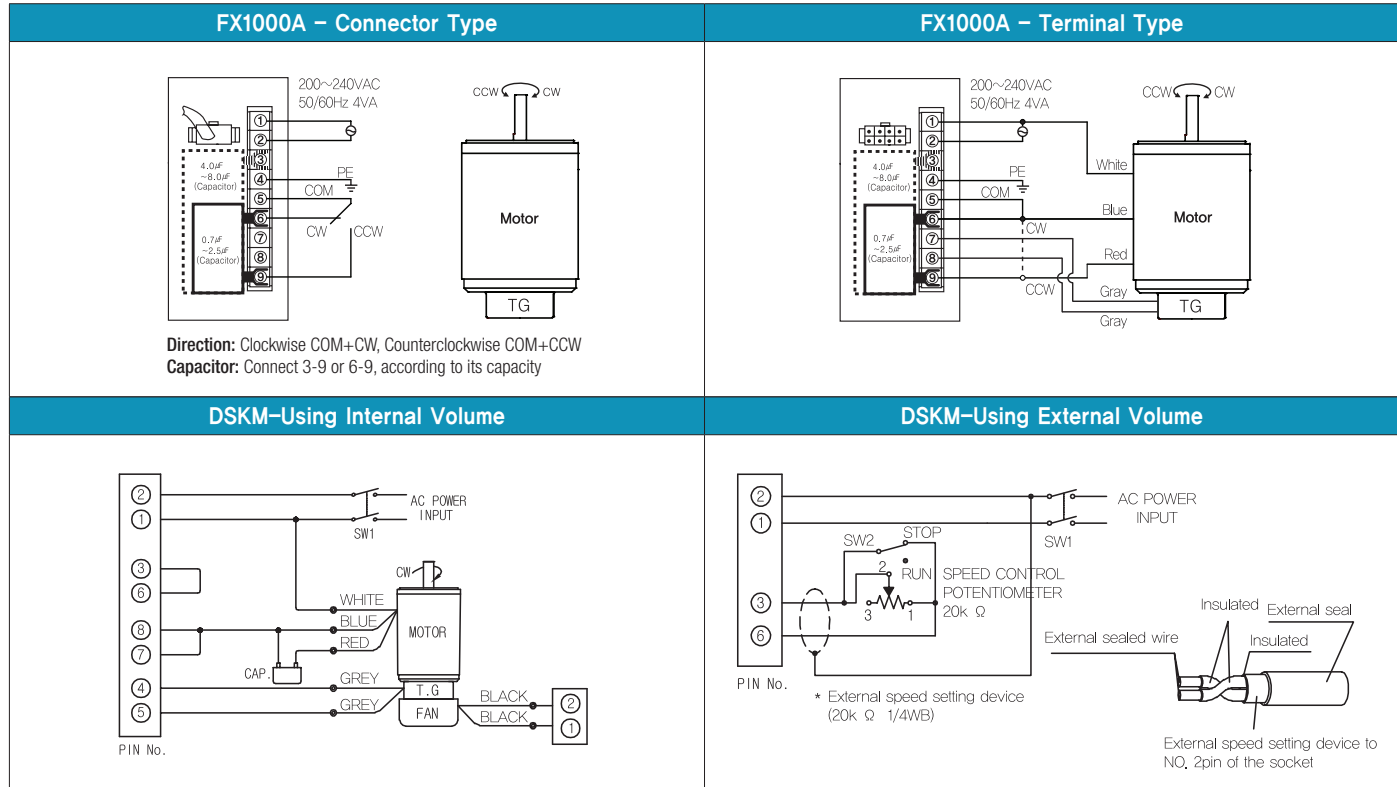
Motor Images



B AC Motors

S.C. Brake Motor 15W (□80mm)

Connection Diagrams



- 1) At first connect the speed controller with the motor as instructed in connection diagrams. And then input the external power to both of the terminal 'AC' for the rated speed operation.
 Now you can adjust the main volume to control the output speed of motor.
- 2) The direction of motor rotation is as viewed from the shaft end of the motor.
- 3) CW represents the clockwise direction, while CCW represents the counterclockwise direction.
- 4) When using powerful fan (F2 type) attached motor, connect two black wires of the fan to No.1 and No.2 terminals in order to supply power.